

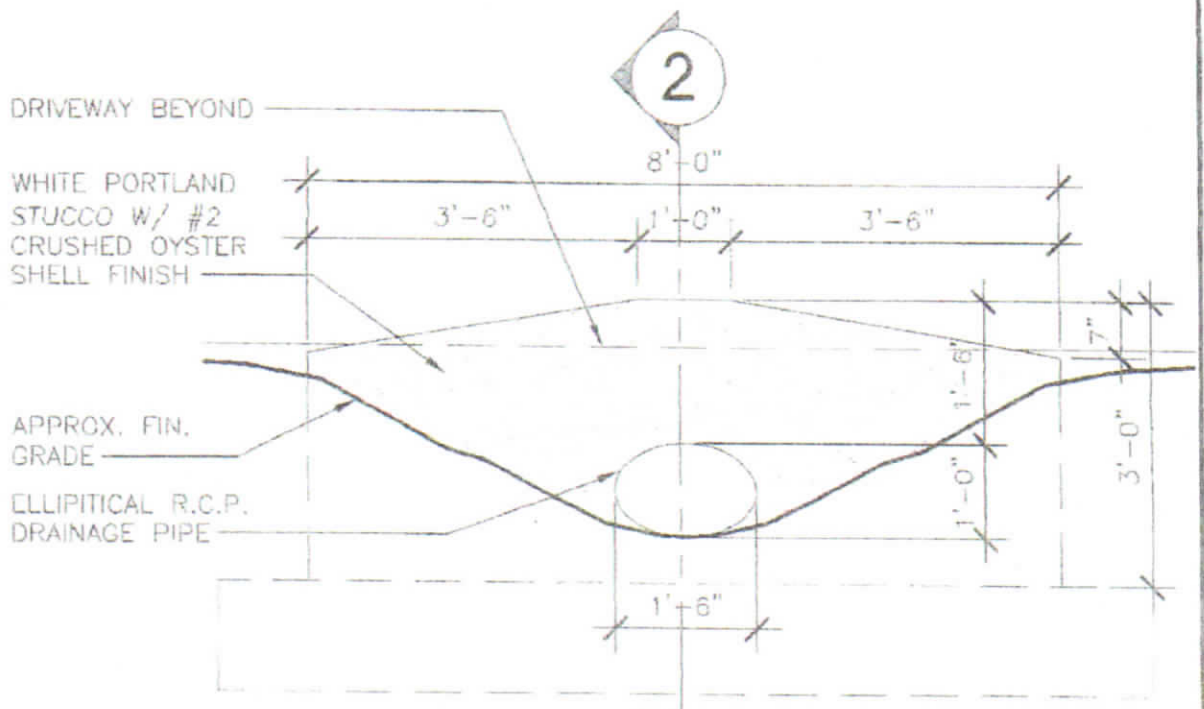
APPENDIX H

CULVERTS AND HEADWALLS

Attached are typical culvert and headwall elevations and sections for two approved options, Pre-cast and Cast In-Place.

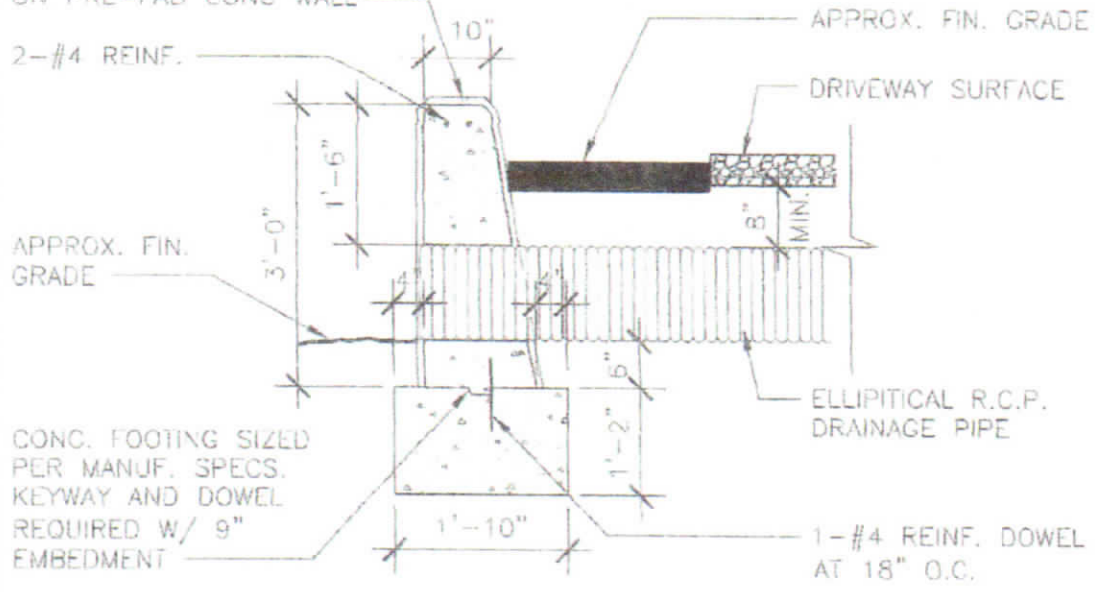
PRE-CAST OPTION- Page H-2

CAST-IN- PLACE OPTION- Page H-3

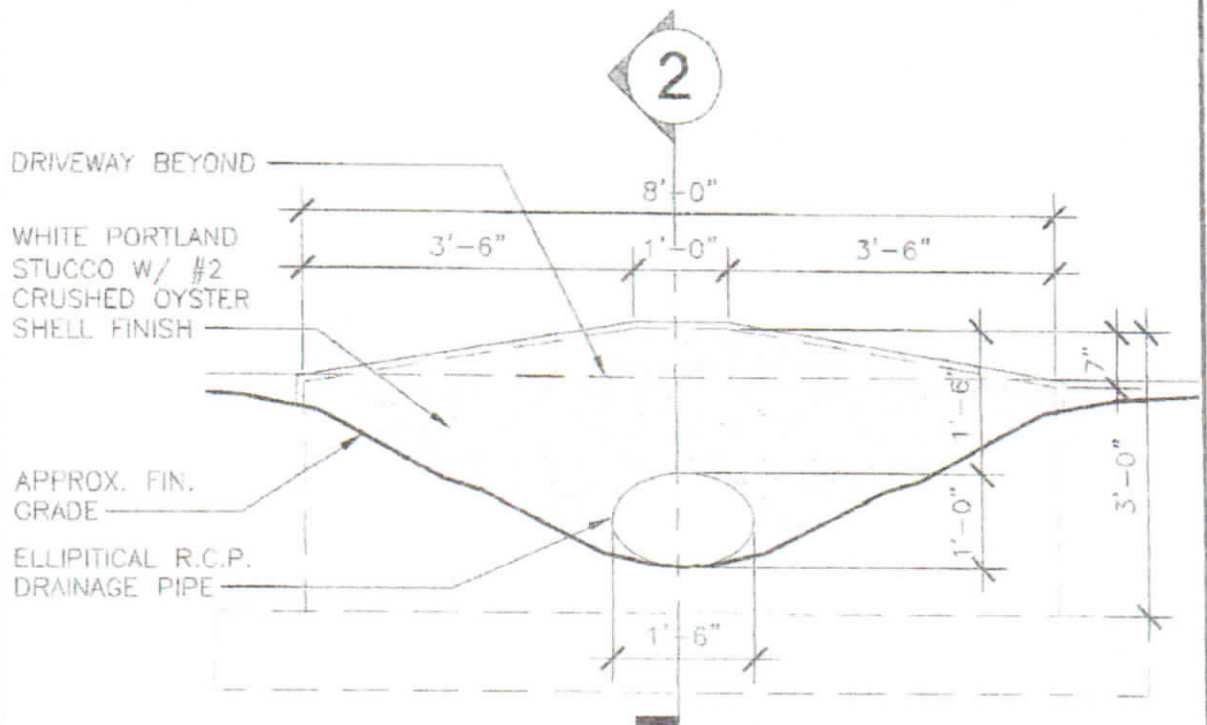


1 TYP. CULVERT HEADWALL ELEV.
 SCALE: 1/2"=1'-0" PRE-CAST WALL

HEADWALL CONSTRUCTION:
 WHITE PORTLAND STUCCO W/ #2
 CRUSHED OYSTER SHELL FINISH
 ON PRE-FAB CONC WALL



2 TYP. CULVERT HEADWALL SECT.
 SCALE: 1/2"=1'-0" PRE-CAST WALL



1 TYP. CULVERT HEADWALL ELEV.
SCALE: 1/2"=1'-0" CAST-IN PLACE

HEADWALL CONSTRUCTION:
WHITE PORTLAND STUCCO
W/ #2 CRUSHED OYSTER
SHELL FINISH ON CAST-IN
PLACE CONC WALL

1-#4 REINF. AT
18" O.C.

APPROX. FIN.
GRADE

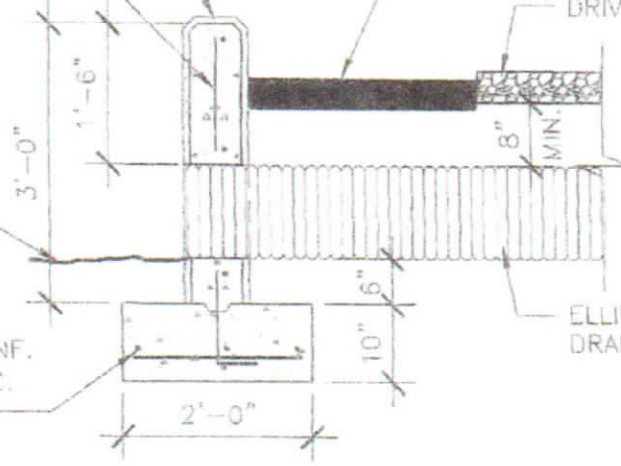
CONT. (3)-#4 REINF.
W/ #4 AT 18" O.C.
TRANSVERSE

APPROX. FIN. GRADE

DRIVEWAY SURFACE

8" MIN.

ELLIPTICAL R.C.P.
DRAINAGE PIPE



2 TYP. CULVERT HEADWALL SECT.
SCALE: 1/2"=1'-0" CAST-IN PLACE